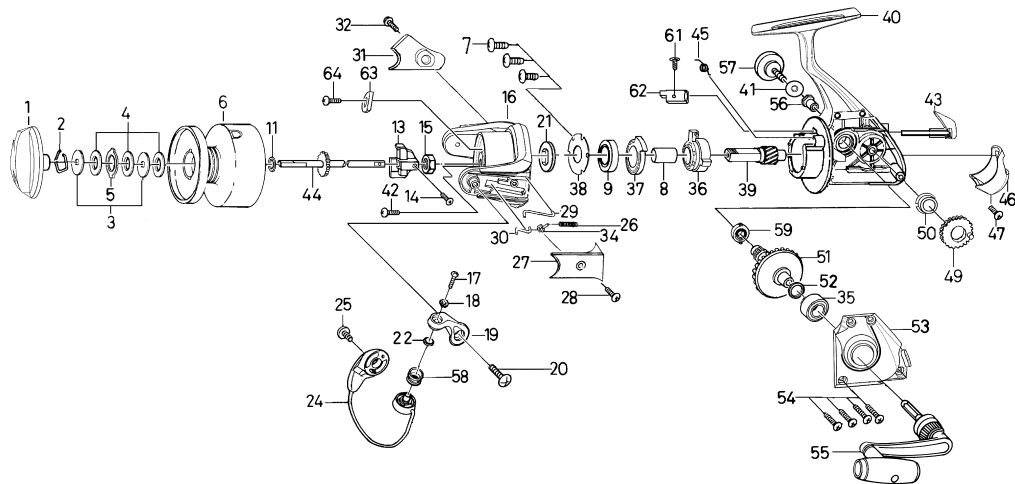




SPINNING REEL

BETA II GOO



Key No.	Parts No.	Parts Name.	Key No.	Parts No.	Parts Name
1	6K806505	Drag knob assembly	35	6B546002	Ball bearing
2	6K418202	Drag washer retainer	36	6K869601	One way clutch assembly
3	6K426502	Eared washer	37	6K869301	Bearing holder
4	6K432601	Drag washer	38	6K869401	Plate
5	6K418002	Key washer	39	6K869201	Pinion gear
6	6K806304	Spool assembly	40	6K801906	Body
7	6K735201	One way clutch screw	41	6L022301	Washer
8	6K869501	Sleeve	42	6K532502	Rotor nut screw
9	6K033502	Ball bearing	43	6K802905	Anti-reverse lever
11	63749002	Spool washer	44	6K804101	Main shaft assembly
13	6K803101	Oscillating slider	45	6K384301	Anti-reverse spring
14	63518901	Oscillating slider screw	46	6K802101	Rear cap
15	6B105701	Rotor nut	47	6K120002	Screw
16	6K802204	Rotor	48	6K808801	Coil spring
17	63516111	Bail screw	49	6K803201	Oscillating gear
18	6K478401	Lock washer	50	6K831501	Collar
19	6K802705	Bail arm	51	64139116	Drive gear
20	6E007601	Bail arm screw	52	63712821	Drive gear washer
21	6K105701	Bush washer	53	6K802006	Side cover
22	6E096504	Line roller washer	54	6B009701	Side cover screw
24	6K804004	Bail assembly	55	6K806604	Handle assembly
25	6E007601	Bail holder screw	56	65018401	Collar
26	6K831601	Spring	57	6L009109	Handle lock screw
27	6K802307	Rotor cover A	58	6K803502	Line roller
28	6E107401	Rotor cover A screw	59	6K602401	Bearing
29	6K803901	Bail trip lever	61	6AK21802	Anti-reverse cam screw
30	6K315001	Link	62	6K869101	Anti-reverse cam
31	6K802407	Rotor cover B	63	6K837004	Balancer
32	6E107401	Rotor cover B screw	64	6E107401	Tap screw
34	6K314901	Spring holder			

6KH592012

PRINTED IN CHINA