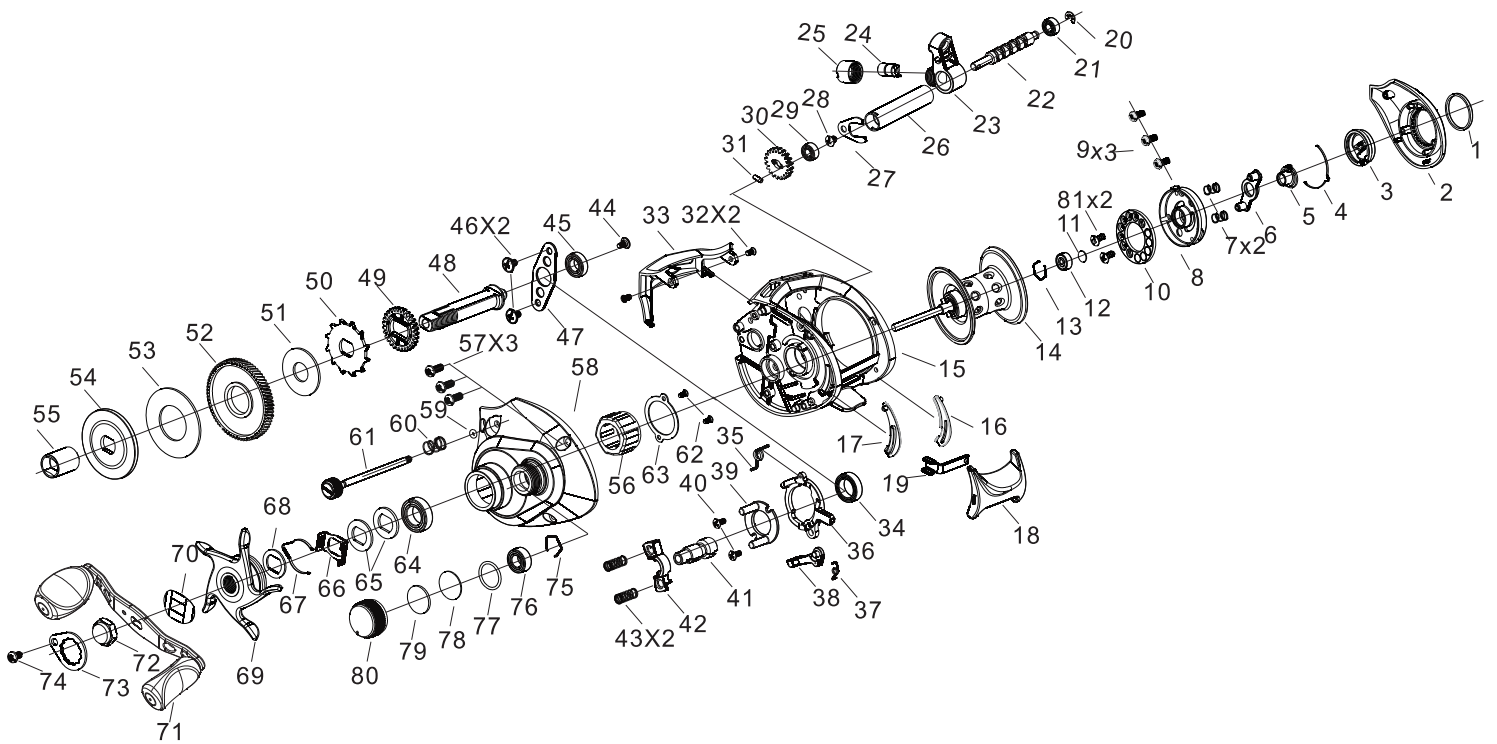


MS7 SHIL



KEY NO.PART NAMES

- 1 DRAG KNOB RING
- 2 LEFT SIDE PLATE ASSY.
- 3 DRAG KNOB ASSY.
- 4 CLICKER RING
- 5 CAM
- 6 CAM
- 7 SPRING
- 8 BRAKE PLATE
- 9 SCREW
- 10 MAGNET PLATE ASSY.
- 11 WASHER
- 12 BALL BEARING
- 13 HEXAGON CLIP
- 14 SPOOL ASSY.(INCLUDE ONE BALL BEARING)
- 15 BODY ASSY.
- 16 BUTTON SIDE PIECE
- 17 BUTTON SIDE PIECE
- 18 BUTTON
- 19 CONNECTING STRIP
- 20 E-CLIP
- 21 BUSHING
- 22 WORM SHAFT
- 23 LINE GUIDE HOLDER
- 24 LINE GUIDE PAWL
- 25 LINE GUIDE HOLDER SCREW
- 26 LEVEL WIND GUARD
- 27 RETAINING PLATE
- 28 SCREW
- 29 BUSHING
- 30 WORM SHAFT GEAR
- 31 PIN
- 32 SCREW
- 33 ORNAMENT
- 34 BALL BEARING
- 35 SPRING
- 36 CLUTCH RING
- 37 CLUTCH SPRING
- 38 CLUTCH PAWL
- 39 CLUTCH REST
- 40 SCREW

KEY NO.PART NAMES

- 41 PINION GEAR
- 42 CLUTCH PLATE
- 43 SPRING
- 44 SCREW
- 45 BALL BEARING
- 46 SCREW
- 47 PRESSURE PLATE
- 48 GEAR SHAFT
- 49 GEAR
- 50 GEAR
- 51 WASHER
- 52 MAIN GEAR
- 53 DRAG WASHER
- 54 KEY WASHER
- 55 BUSHING
- 56 ONE WAY CLUTCH
- 57 SCREW
- 58 RIGHT SIDE PLATE
- 59 O-RING
- 60 SPRING
- 61 LOCK SCREW ASSY.
- 62 SCREW
- 63 EAR WASHER
- 64 BALL BEARING
- 65 WASHER
- 66 CLICKER RETAINER
- 67 CLICKER RING
- 68 WASHER
- 69 STAR DRAG
- 70 SPRING WASHER
- 71 HANDLE ASSY.
- 72 HANDLE SCREW CAP
- 73 LOCKING PLATE
- 74 SCREW
- 75 HEXAGON CLIP
- 76 BALL BEARING
- 77 O-RING
- 78 WASHER
- 79 WASHER
- 80 DRAG NUT
- 81 SCREW