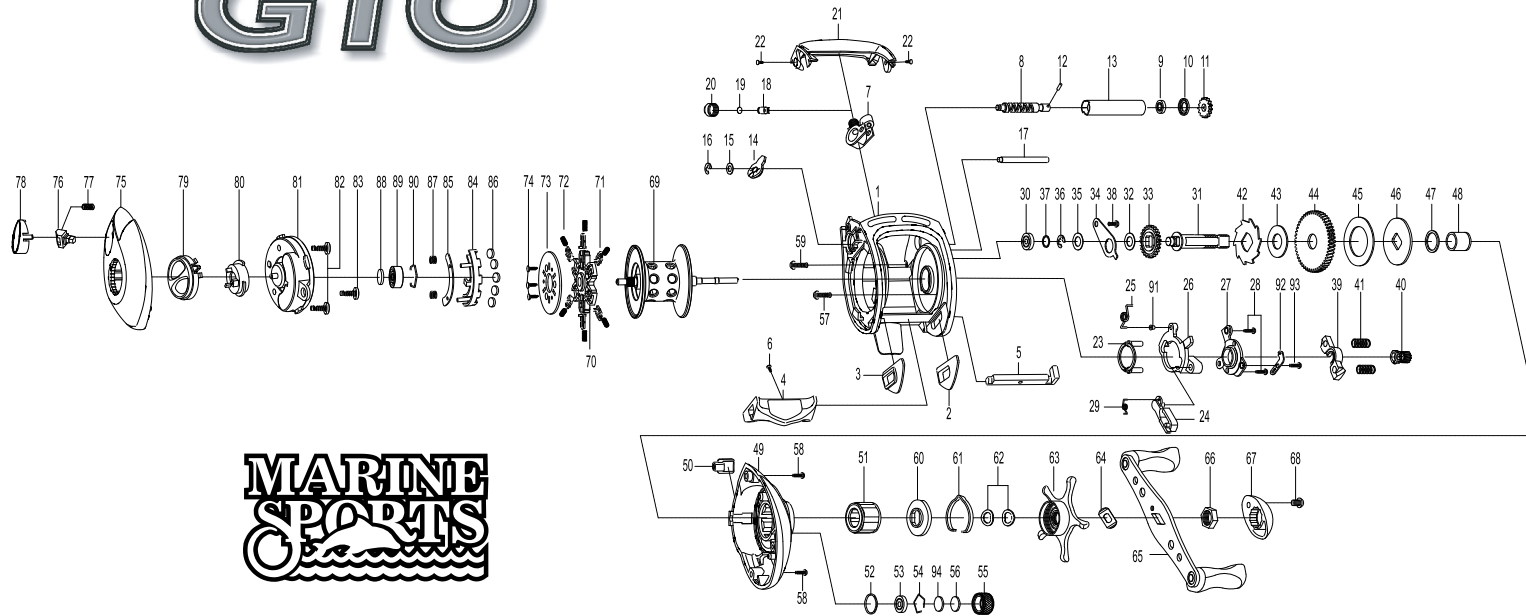


CONTENDER 10000SHI

GTO



THE ORDER OF THE PART NUMBER IS BASED ON THAT OF THE REEL ASSEMBLY

NO	PART NAME	NO	PART NAME	NO	PART NAME	NO	PART NAME	NO	PART NAME	NO	PART NAME	NO	PART NAME
1	FRAME	16	E-RING	31	CRANK SHAFT	46	DRAG WASHER (D)	61	CLICK LEAF SPRING	76	LOCKING PIN	91	CLUTCH SPRING BUSHING
2	CLUTCH BAR PLATE-A	17	PILLAR	32	IDLER(L) WASHER (A)	47	SLEEVE WASHER(OPTIONAL)	62	DRAG SPRING WASHER(*2)	77	LOCKING PIN SPRING	92	CLUTCH SPRING HOLDER
3	CLUTCH BAR PLATE-B	18	LINE GUIDE PAWL	33	IDLER(L)	48	SLEEVE	63	STAR DRAG ASSEMBLY	78	PUSH BUTTON ASSEMBLY	93	CLUTCH CAM SCREW(B)
4	CLUTCH BAR ASSEMBLY	19	SPACER(OPTIONAL)	34	BEARING PLATE	49	RIGHT SIDE COVER	64	LEAF SPRING	79	CONTROL DIAL ASSEMBLY	94	SPOOL SPACER
5	CLUTCH LINK	20	PAWL CAP	35	IDLER(L) WASHER (B)	50	SPACER	65	HANDLE ASSEMBLY (INCL. 4 B.B.)	80	SLIDE CAM		
6	CLUTCH BAR SCREW	21	FRONT COVER	36	E-RING	51	ONE WAY CLUTCH	66	HANDLE NUT	81	SPOOL COVER		
7	LINE GUIDE ASSEMBLY	22	FRONT COVER SCREW	37	CRANK SHAFT SPACER(OPTIONAL)	52	O-RING	67	HANDLE NUT CAP	82	SPOOL COVER-SCREW(*2)-A		
8	WORM SHAFT	23	YORK HOLDER	38	BEARING PLATE SCREW	53	BEARING	68	HANDLE NUT CAP SCREW	83	SPOOL COVER-SCREW-B		
9	BALL BEARING	24	RETURN PAWL	39	PINION YOKE	54	BEARING RETAINER	69	SPOOL ASSEMBLY(INCL. 1 B.B.)	84	MAGNET HOLDER		
10	WORM SHAFT BUSHING (A)	25	CLUTCH SPRING	40	PINION GEAR	55	CAST CONTROL CAP	70	BRAKE SHOE HOLDER	85	MAGNET HOLDER PLATE		
11	IDLER(S)	26	CLUTCH CAM	41	PINION YOKE SPRING(*2)	56	TENSION WASHER	71	NRAKE SHOE(*6)	86	MAGNET(*5)		
12	WORM SHAFT PIN	27	CAM PLATE	42	RATCHET	57	RIGHT SIDE COVER SCREW-A	72	BRAKE SHOE SPRING(*6)	87	MAGNET HOLDER SPRING(*2)		
13	LINE GUIDE PIPE	28	CLUTCH CAM SCREW(A)*2	43	RATCHET WASHER	58	RIGHT SIDE COVER SCREW-B	73	BRAKE HOLDER PLATE	88	SPOOL SPACER(A)		
14	WORM SHAFT BUSHING (B)	29	RETURN PAWL SPRING	44	DRIVE GEAR	59	SPACER SCREW	74	BRAKE HOLDER PLATE SCREW(*3)	89	BALL BEARING		
15	WORM SHAFT WASHER	30	BALL BEARING	45	DRAG WASHER (B)	60	CLICK PLATE	75	LEFT SIDE COVER	90	BEARING RETAINER		