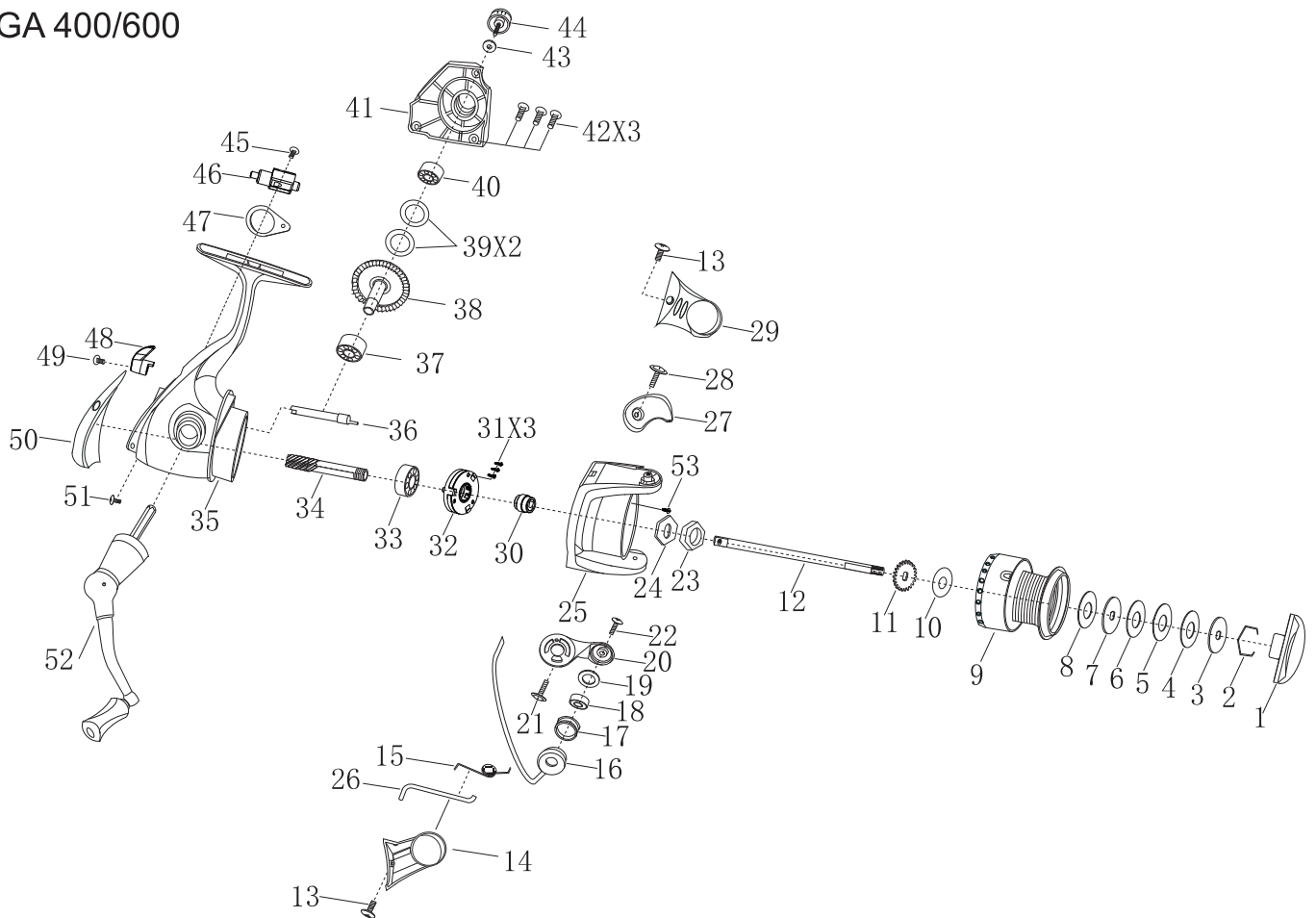


TIGA 400/600



KEY NO. PART NAMES

1	DRAG KNOB
2	DRAG WASHER RETAINER
3	KEY WASHER
4	DRAG WASHER
5	EARED WASHER
6	DRAG WASHER
7	KEY WASHER
8	DRAG WASHER
9	SPOOL ASSY.
10	CLICK GEAR WASHER
11	CLICK GEAR
12	MAIN SHAFT
13	SCREW
14	BAIL ARM COVER
15	BAIL ARM SPRING
16	BAIL ASSY.
17	LINE ROLLER
18	BUSHING
19	LINE ROLLER WASHER
20	BAIL ARM
21	SCREW
22	SCREW
23	ROTOR NUT
24	PINION GEAR CUSHION
25	ROTOR
26	FLIP WIRE
27	BAIL SEAT

KEY NO. PART NAMES

28	SCREW
29	BAIL SEAT COVER
30	BUSHING
31	SCREW
32	ONE WAY CLUTCH ASSY.
33	BALL BEARING
34	PINION GEAR
35	MAIN BODY ASSY.
36	PIN
37	BALL BEARING
38	DRIVE GEAR
39	GEAR WASHER
40	BALL BEARING
41	SIDE PLATE
42	SCREW
43	HANDLE CAP WASHER
44	HANDLE SCREW CAP
45	OSCILLATING SLIDER SCREW
46	OSCILLATING SLIDER
47	CONNECTING SLICE
48	FLIP LEVER
49	SCREW
50	BODY ORNAMENT
51	SCREW
52	HANDLE ASSY.
53	SCREW