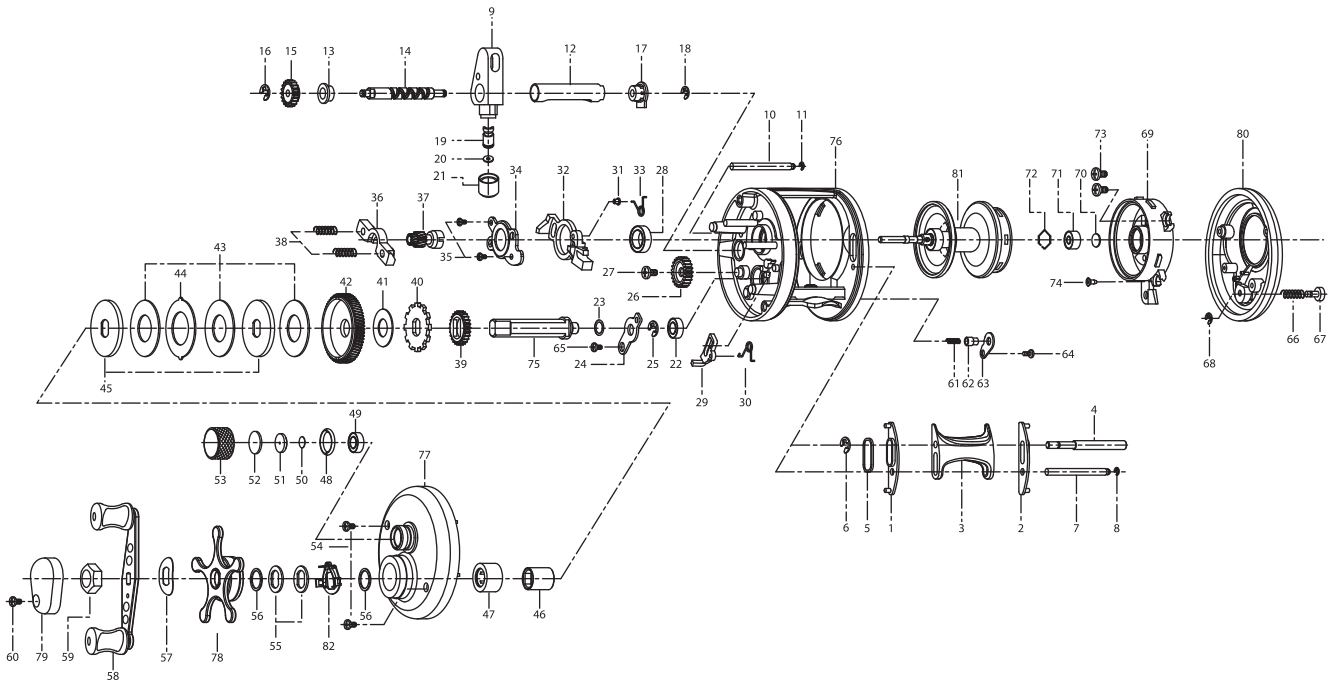




ROUND BAITCASTING REEL

PACIFICA PA-100L



Key No.	Parts No.	Parts Name.	Key No.	Parts No.	Parts Name.	Key No.	Parts No.	Parts Name.
01	6K948603	T/BAR PAD R	28	6K892101	BALL BEARING	55	6K160702	SPRING WASHER
02	6K948703	T/BAR PAD L	29	6K948801	KICK LEVER	56	6K177302	WASHER
03	6K9406A3	THUMB BAR	30	6K948901	K/LEVER SPRING	57	6K161404	LEAF SPRING
04	6K940801	PILLAR	31	6K941901	BUSH	58	6K811575	HANDLE ASSY
05	6K403701	PLATE	32	6K949001	CLUTCH CAM	59	6K178310	NUT
06	63205901	RETAINER	33	6K950001	CLUTCH CAM SPRING	60	63511801	SCREW
07	6K940701	PILLAR	34	6K949101	CAM PLATE	61	6K943701	SPRING
08	6B339801	RETAINER	35	6AK21813	SCREW	62	6K943801	PIN
09	6K940903	LEVEL WIND ASSY	36	6K949201	CLUTCH PLATE	63	6K293601	PLATE
10	6K940701	PILLAR	37	6K949301	PINION	64	6K239602	SCREW
11	6B339801	RETAINER	38	6K942501	COIL SPRING	65	63511811	SCREW
12	6K321102	PIPE	39	6K942601	O/S GEAR	66	6K945501	SPRING
13	6K969301	BUSH	40	6K174401	RATCHET	67	6K798202	PUSH BUTTON
14	6K941201	WORM SHAFT	41	6K174506	WASHER	68	6B339801	RETAINER
15	6K469301	WORM PINION	42	6K949401	DRIVE GEAR	69	5K016401	SPOOL COVER ASSY
16	6B339801	RETAINER	43	6K943001	WASHER-B	70	6K164605	WASHER
17	6K165901	BUSH	44	6K943201	WASHER-A	71	6K474501	BALL BEARING
18	63205901	RETAINER	45	6K943103	WASHER-D	72	6K468301	RING
19	6K256501	LEVEL WIND PIN	46	6K896703	SLEEVE	73	63511811	SCREW
20	6K148804	WASHER	47	6K336701	ONE WAY CLUTCH	74	6K172901	SCREW
21	6K318201	NUT	48	6K176501	O-RING	75	6K941406	GEAR META
22	6K170601	BALL BEARING	49	6K176701	BALL BEARING	76	6K948408	FRAME ASSY
23	6E096501	WASHER	50	6K164605	WASHER	77	6K949507	R/SIDE PLATE
24	6K941502	BEARING PLATE	51	6K176905	COLLAR	78	5K048002	STAR DRAG ASSY
25	63201402	RETAINER	52	6K177001	WASHER	79	6K311008	H/NUT CAP
26	6K941601	IDLE GEAR	53	6K259107	NUT	80	6K9851A8	R/SIDE PLATE
27	6K239602	SCREW	54	63511801	SCREW	81	5K048201	SPOOL ASSY
						82	6K259201	LEAF SPRING ASSY