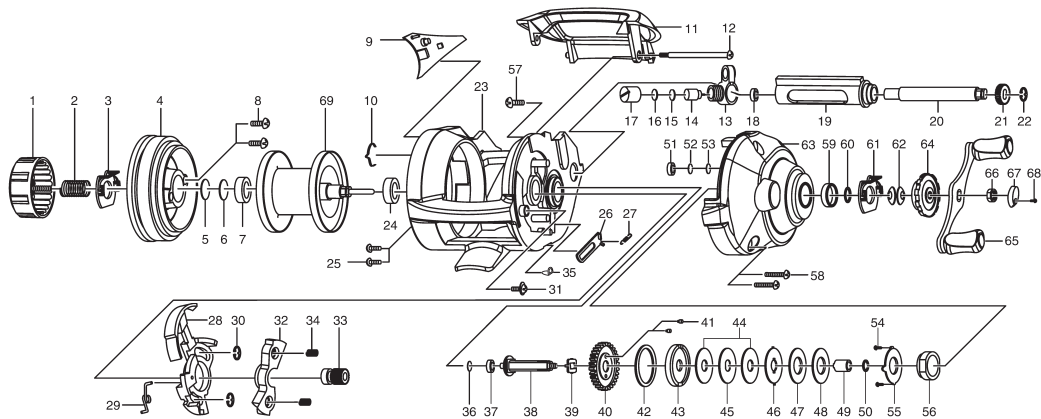


MARINE SPORTS

BAITCASTING REEL

NEON



Key No.	Parts No.	Parts Name.
1	6K833501	Tension knob
2	6K841401	Spring
3	6K841001	Left spring assembly
4	6K833306	Spool cover
5	6K164601	Washer
6	6K164605	Washer
7	6K758901	Bearing
8	6K171405	Tap screw
9	6K832905	Left side cover
10	6K839901	Leaf spring
11	6K833003	Hood
12	6K840001	Screw
13	6K839801	Level wind assembly
14	6K256501	Level wind pin
15	6K148803	Washer
16	6K148801	Washer
17	6K797401	Nut
18	6K840101	Bearing
19	6K834101	Pipe
20	6K835701	Worm shaft
21	6K835801	Worm pinion
22	63205901	Retainer
23	6K832701	Frame
24	6K170601	Ball bearing
25	6K171405	Tap screw
26	6K835001	Kick lever
27	6K772401	Spring
28	6K853001	Clutch lever assembly
29	6K840201	Spring
30	6B339801	Retainer
31	6K787602	Tap screw
32	6K833701	Clutch
33	6K840301	Pinion assembly
34	6K840701	Coil spring
35	6K834202	Line stopper

Key No.	Parts No.	Parts Name
36	6K775001	Washer
37	6K783101	Bearing
38	6K840401	Gear metal
39	6K834901	Ratchet
40	6K836101	Drive gear
41	6K840501	Pin
42	6K835301	Washer
43	6K836201	Washer pocket
44	6K834601	Washer-L
45	6K834701	Washer-D
46	6K834501	Washer-A
47	6K835501	Washer
48	6K835502	Washer
49	6K840601	Sleeve
50	6K835301	Washer
51	6K840901	Bearing
52	6K164605	Washer
53	6K164601	Washer
54	6K429901	Tap screw
55	6K835201	Plate
56	6K840801	One way clutch
57	6K311305	Screw
58	6K494004	Tap screw
59	6E182801	Ball bearing
60	6B128701	Washer
61	6K841001	Leaf spring assembly
62	6K834301	Spring washer
63	6K832805	Right side cover
64	6K833402	Drag knob
65	6K841101	Handle assembly
66	6K841201	Nut
67	6K833902	Handle nut cap
68	6K797202	Screw
69	6K841301	Spool assembly